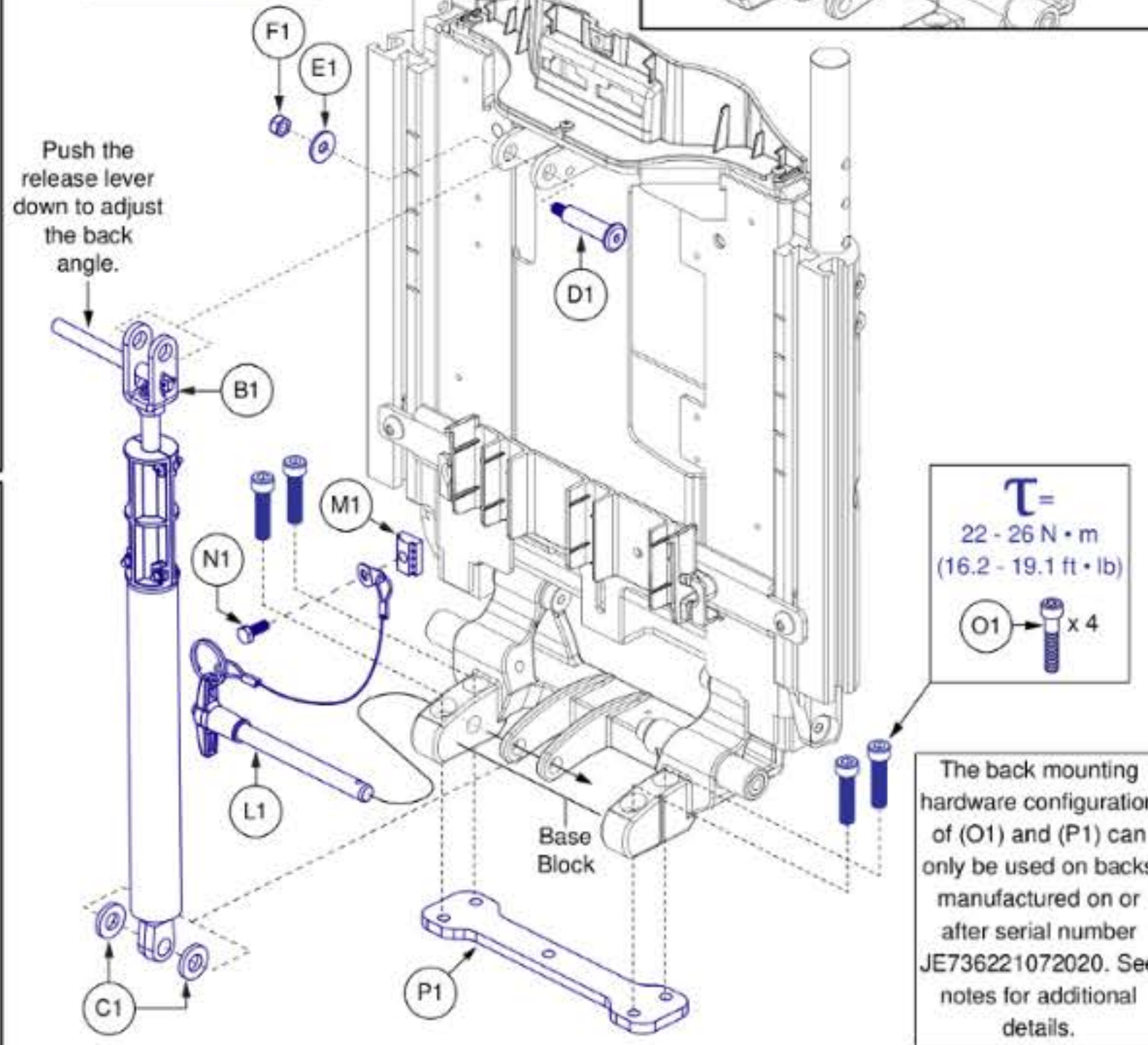
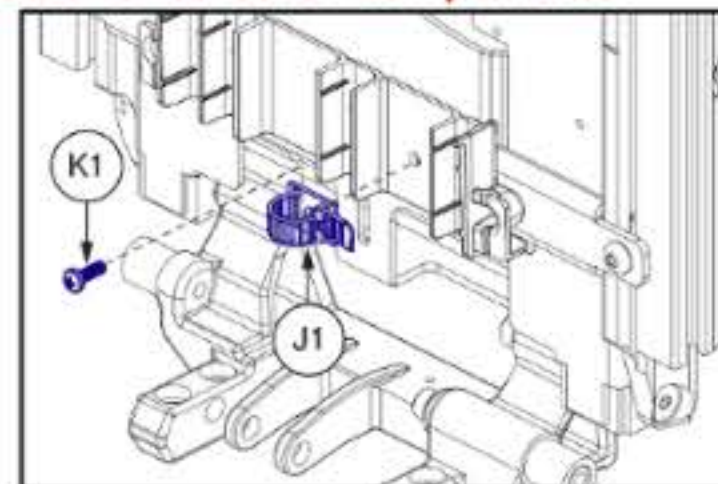
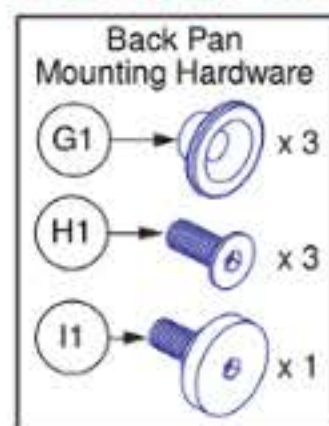


\*\*\*Only components with callouts are available for replacement. The complete assembly must be selected for all other components.\*\*\*



**⚠ Mounting Hardware Replacement Notes ⚠**

- Due to a product enhancement, the width of the base block has been increased on backs manufactured on or after serial number JE73622107202.
- If replacing the mounting hardware on a unit manufactured prior to serial number JE73622107202, the applicable mounting hardware for the serial number must be selected.
- If the hardware is not available, the complete back assembly must be selected. Backs manufactured prior to JE73622107202 cannot mount without the specified spacer plate and hardware due to the difference in the width of the base block.

